

Cotter joint

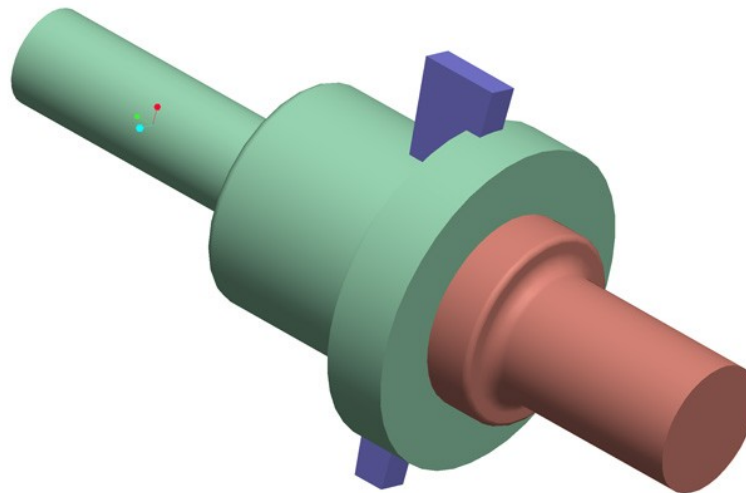


FIG 01: ASSEMBLED COTTERED JOINT

Cotter joint – modes of failure

TENSION FAILURE

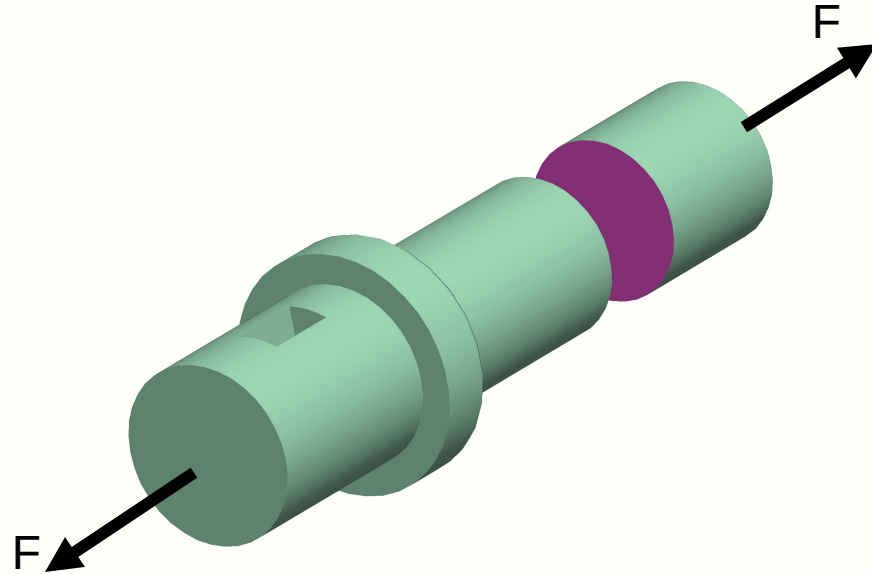
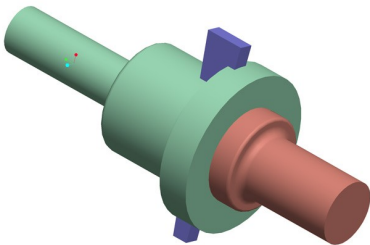


FIG 02: STEEL SPIGOT BREAKING IN TENSION OUTSIDE THE JOINT.



Cotter joint – modes of failure

TENSION FAILURE

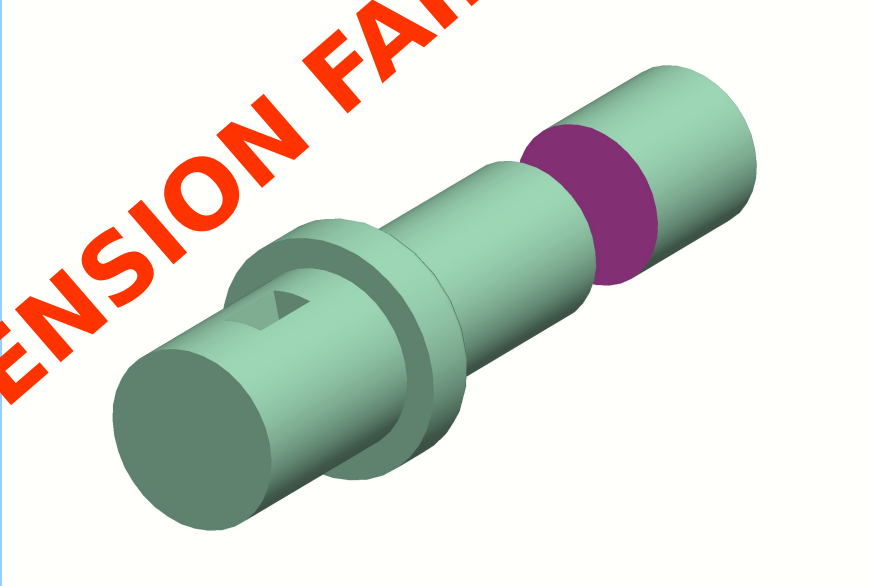


FIG 02: STEEL SPIGOT BREAKING IN TENSION
OUTSIDE THE JOINT

WROUGHT IRON ROD BREAKING IN TENSION
OUTSIDE THE JOINT

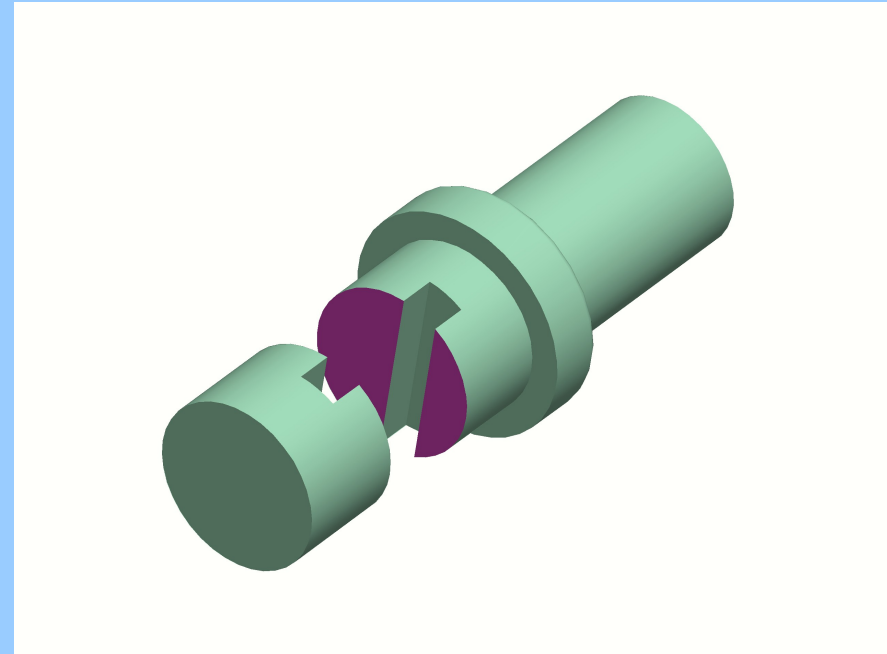
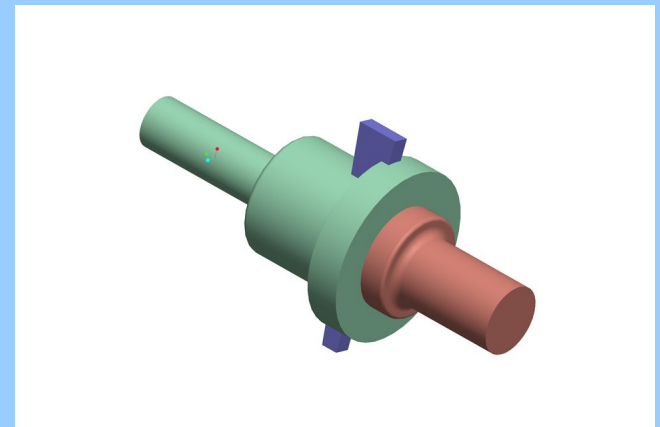


FIG 05: SPIGOT BREAKING IN TENSION
ACROSS SLOT



Cotter joint – modes of failure

TENSION FAILURE

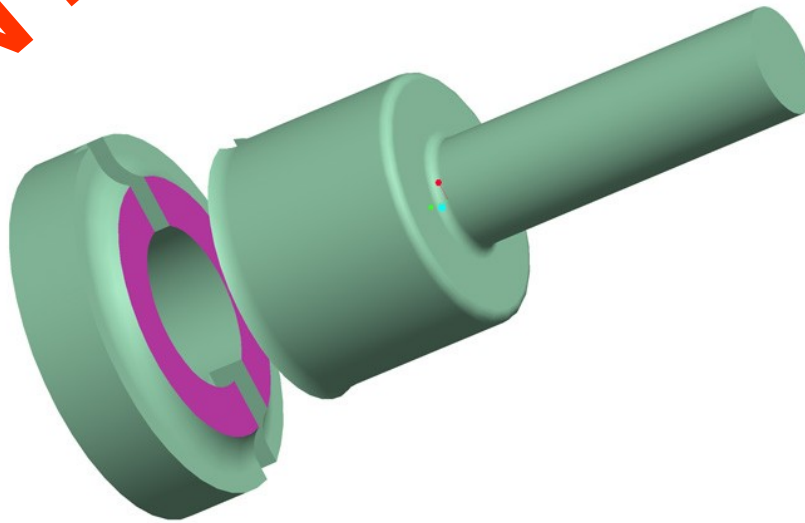
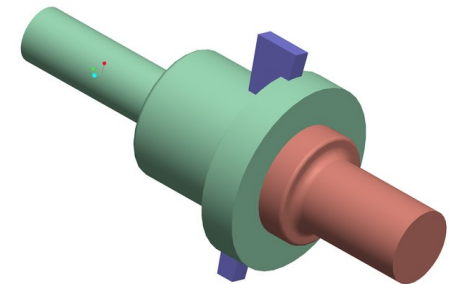


FIG 07: SOCKET BREAKING IN TENSION ACROSS SLOT



Cotter joint – modes of failure

SHEAR FAILURE

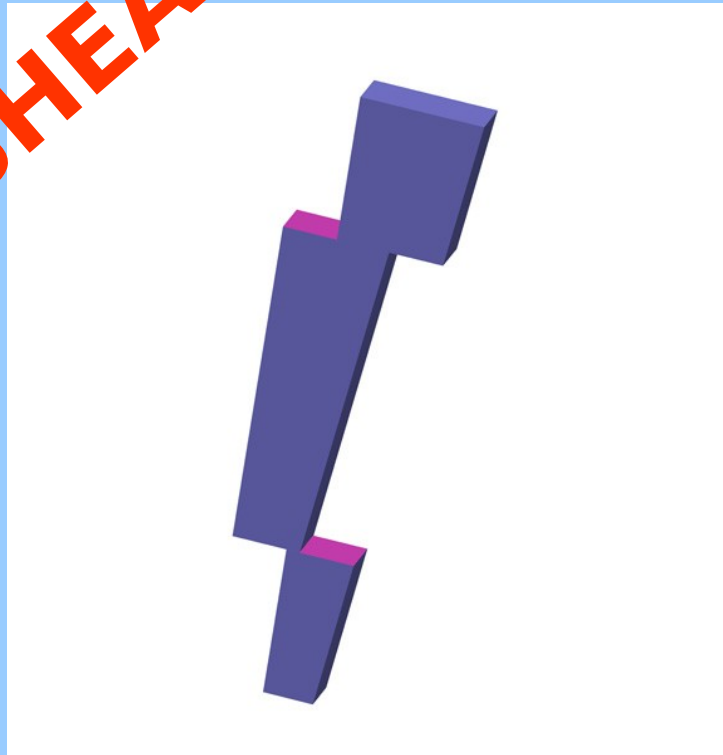


FIG 06: DOUBLE SHEARING OF COTTER PIN

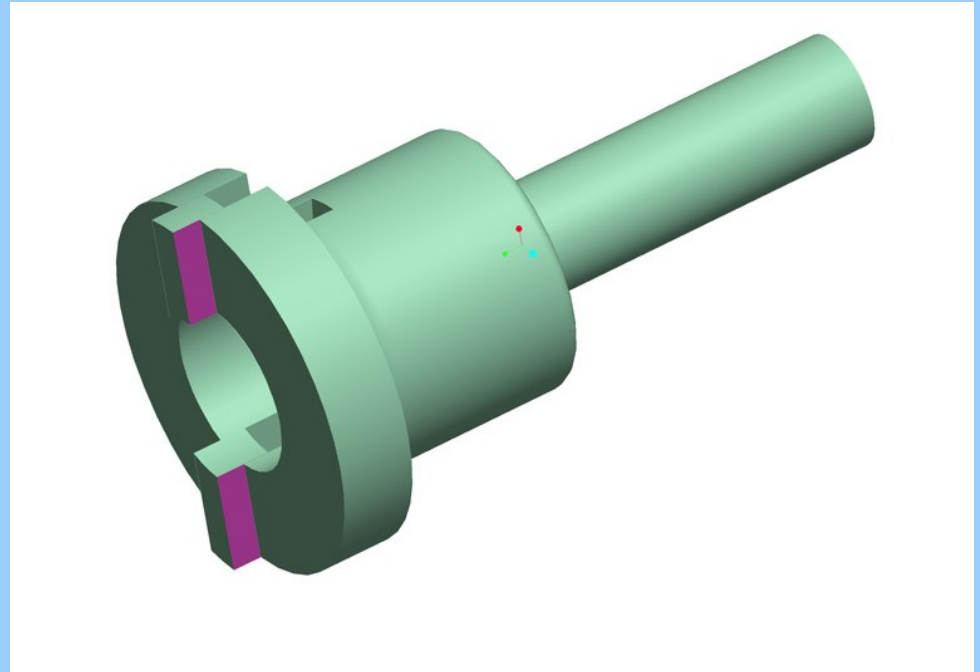
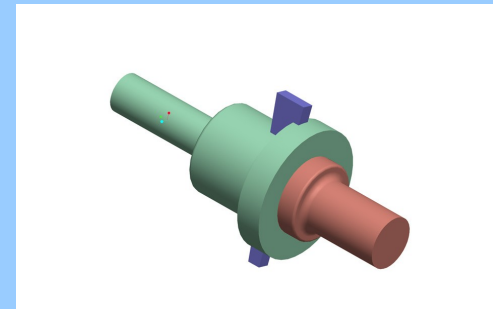
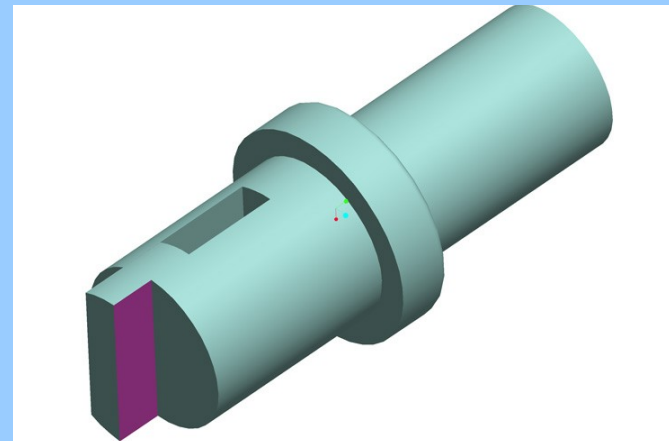
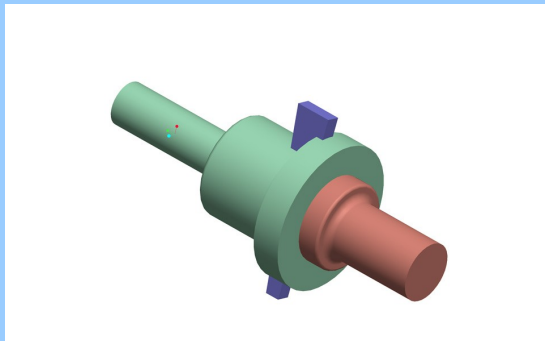
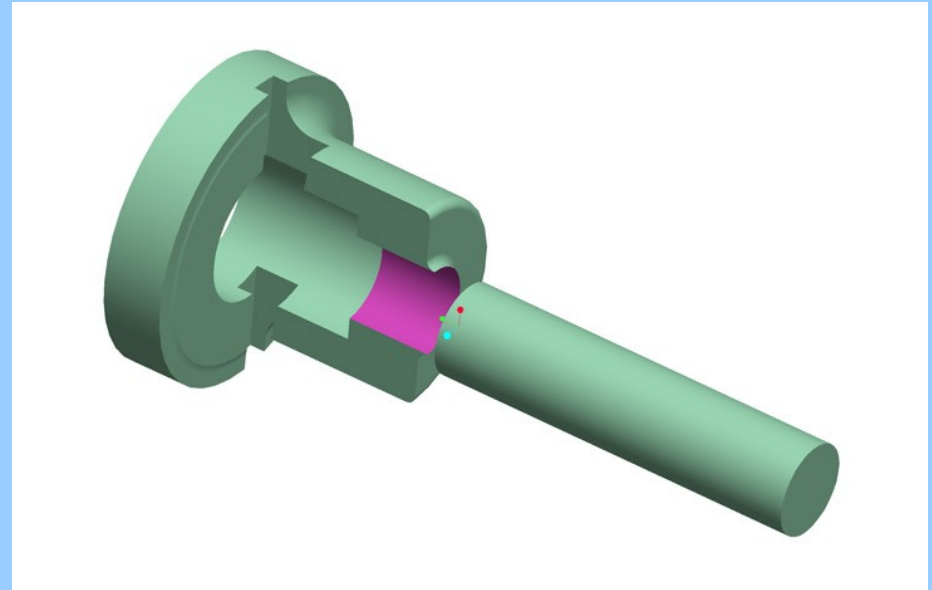
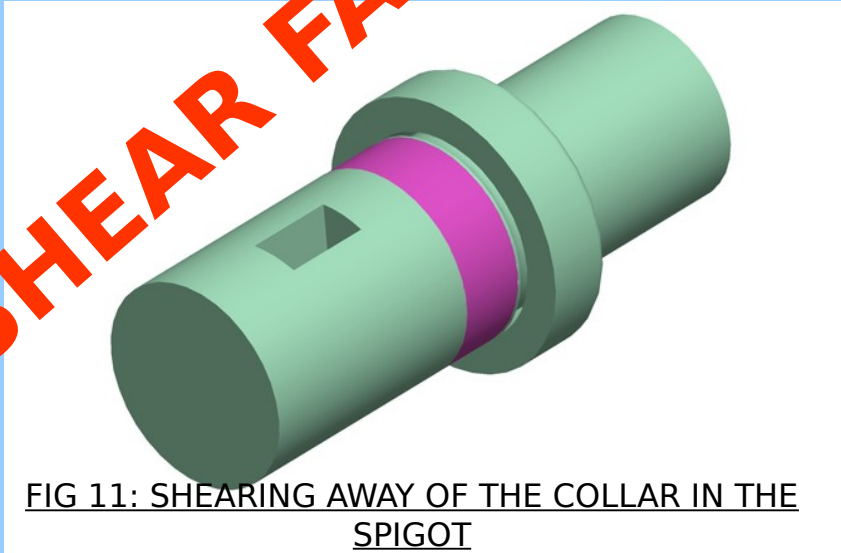


FIG 09: DOUBLE SHEARING OF SOCKET END



Cotter joint – modes of failure

SHEAR FAILURE



BEARING FAILURE

Cotter joint – modes of failure

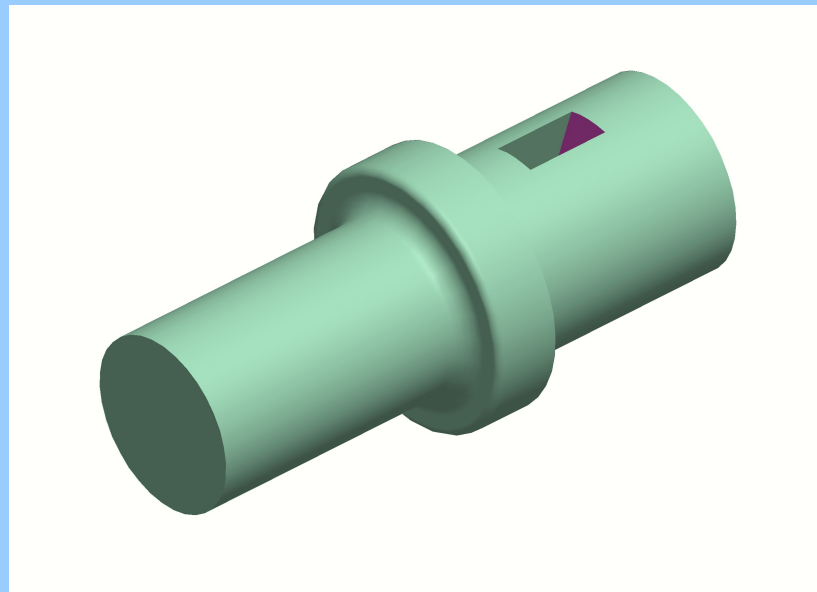


FIG 04: CRUSHING OF COTTER PIN AGAINST ROD END

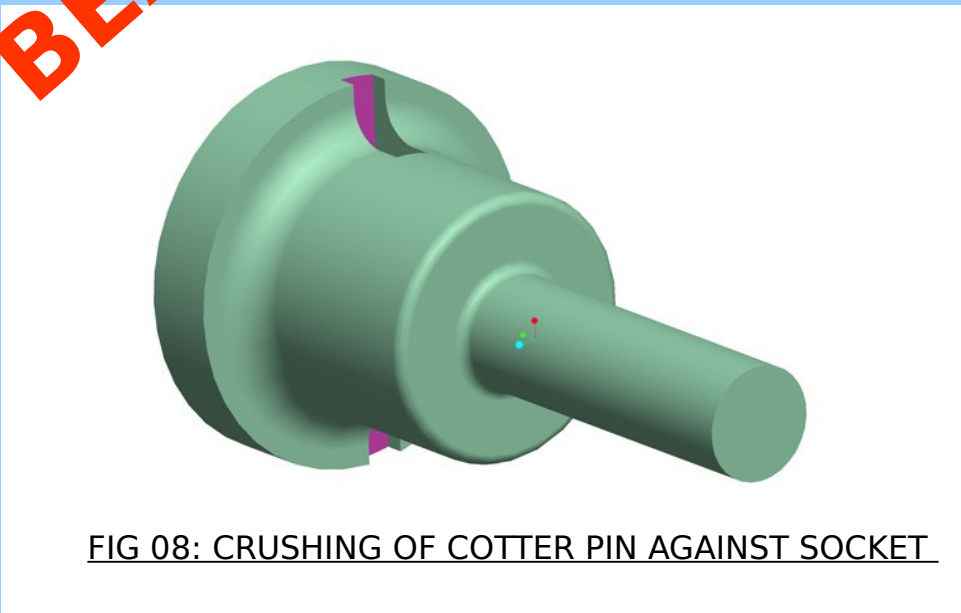


FIG 08: CRUSHING OF COTTER PIN AGAINST SOCKET

